



**GATE VALVE
Series - GTV W01**

Valve With Pneumatic Actuator



Valve With Chain Wheel Operator



Valve With Gear Operator



Valve Electrical Actuator



Description

Wedge Gate Valve:

Wedge gate Valves are for straight flow of fluid where minimum restriction is desired and are Bi-Direction valves. Gate Valves are intended to use widely in Steel Sectors, Oil and Gas , Power sectors , Refineries , Petrochemicals , Fertilizers ,Energies , and Water De-sanitation plants. These valves are suitable for Hydrogen and Oxygen services also. NACE requirement with carbon and carbon equivalent limitations and hardness values are best to use in Petroleum and Natural Gas industries- Materials for use in H2S-containing environment in oil and gas production.

Type :

Wedge Gate Valves with OS&Y (Flexible/Solid Wedge)

Design Standard: API-600, ASME-B-16.34

Face To Face Standard : ASME-B-16.10/BS-2080

End Connection:

Flanged Ends to ASME-B-16.5 till 600 mm
and as per ASME-B-16.47 for 600mm above
Socket weld ends as per ASME-B-16.11 and
Butt weld ends as per ASME-B-16.25

Testing Standard: API-598/ EN-12266/ISO-5208

SIZE : 1” to 24”

Rating: 150 ,300 and 600 classes

Material Of Construction:

Carbon Steel as per ASTM-A-216 Grades WCB, WCA and WCC
Alloy steels as per ASTM-A-217 Grades WC4, WC5, WC6, Wc9
CA 15 and C5. Austenitic Steel as per ASTM-A-351 Grades Cf8,
CF8M, Cf3, CF3M, CG3M, CF8C, CK3MCuN Ferritic and Martensitic
Steel as per ASTM-A-352 Grades LCB LCC, LC5, LCA and CA6NM
and Nickel& Chrome Alloy steel as per ASTM-A-494 Grades M35-1
Nickel Chrome and Molly alloy steel (Austenitic Ferritic)
as per ASTM-A-890 Grades CD4MCu, CD4MCuN, CD3MCuN,
CE8MN, CD3MN, CE3MN&CD3MWCuN

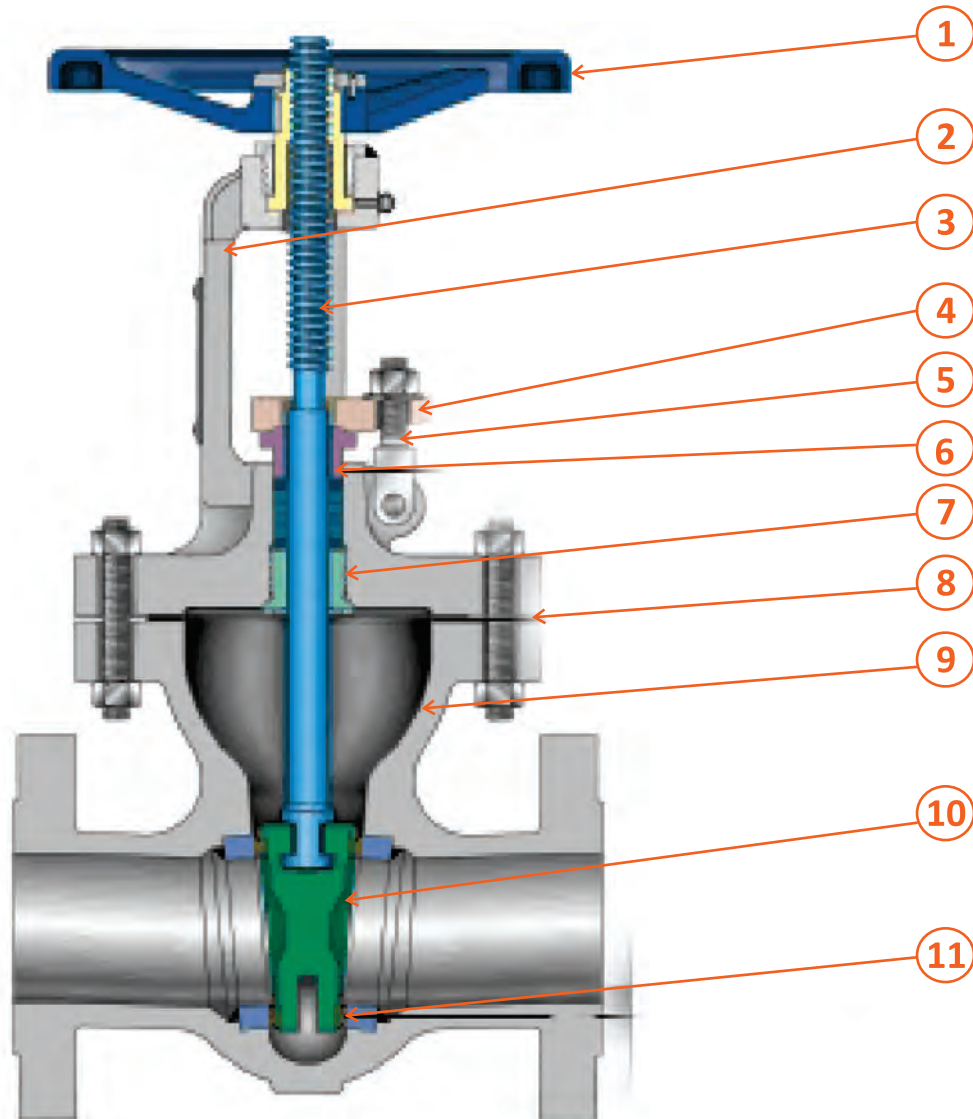
Bar Grade For Trims :

ASTM-A-276 Grades SS 410/304/304L/316/316L/420 along with Brass/
Bronze trims as per BS1400/C95800, ASTM-A-564 Type 630, 631 & 632

Accessories:

Worm gear Box, Pneumatic and Electrical actuators,
Positioner limit switch, solenoid valve, positioner,
Air filter regulator , Proximity switch and junction box.

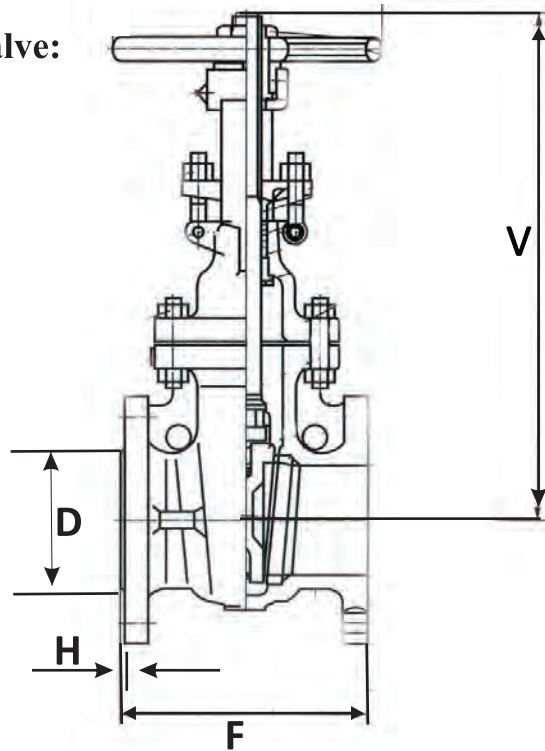
Cut - Section With Component Wedge Gate Valve:



NO.	PART	NO.	PART
1	Hand Wheel	7	BACK UP SEAT
2	YOKE	8	BONNET
3	Valve Shaft	9	BODY
4	GLAND FLANGE	10	GATE
5	GLAND STUD	11	SEAT
6	GLAND PACKING		

Dimensions

Wedge Gate Valve:



GTV - DIMENSIONS ARE IN MM

SIZE IN MM	FACE TO FACE [F]			RAISED FACE		[V] VALVE IN OPEN			WEIGHT IN KGS		
	150#	300#	600#	[D] DIA	[H] HEIGHT	150#	300#	600#	150#	300#	600#
25	127	165	216	50.8	1.6/2	280	290	290	12	14	22
32	140	178	229	63.5	1.6/2	325	360	370	13.5	16	26
40	165	190	241	73	1.6/2	365	405	415	15	19	36
50	178	216	292	92.1	1.6/2	395	465	460	17	23	41
65	190	241	330	104.8	1.6/2	485	515	500	29	43	55
80	203	282	356	127	1.6/2	504	530	545	32	48	64
100	229	305	432	157.2	1.6/2	580	600	710	51	72	128
125	254	381	508	185.7	1.6/2	698	725	880	71	110	220
150	267	403	559	215.9	1.6/2	788	835	935	84	144	275
200	292	419	660	269.9	1.6/2	1010	1040	1110	127	225	445
250	330	457	787	323.8	1.6/2	1225	1290	1310	222	345	670
300	356	502	838	381	1.6/2	1455	1605	1640	313	580	1060
350	381	762	889	412.8	1.6/2	1698	1820	1835	448	710	1270
400	406	832	991	469.9	1.6/2	2025	2045	2090	552	1045	1825
450	432	914	1092	533.4	1.6/2	2210	2190	2490	698	1230	2570
500	457	991	1194	584.2	1.6/2	2500	2480	2540	906	1660	3075
600	508	1143	1397	692.2	1.6/2	2850	2890	2890	1310	2315	4670

SIZE IN MM	FF [F]		RAISED FACE				[V] VALVE IN OPEN		WEIGHT IN KGS	
	150#	300#	[D] DIA	[H] HEIGHT	[D] DIA	[H] HEIGHT	150#	300#	150#	300#
700	610	1346	836	1.6/2	924	1.6/2	3236	3302	4558	8070
750	610	1397	873	1.6/2	994	1.6/2	3417	3772	4827	9591
800	660	1524	958	1.6/2	1058	1.6/2	3950	4005	6500	12500
900	711	1727	1061	1.6/2	1176	1.6/2	4109	4312	7856	15104
1000	813	1931	1180	1.6/2	1260	1.6/2	4670	4791	10370	18654

Gate Valve for Water Application & Non Rising Steam

Description

Gate Valve:

Gate Valve with non rising stem specially design for the water application. This Gate Valve are intended to use widely in water distribution, Water De-sanitation plant & Power sector.

Standards:

- Designed according to EN 1074 part 1 & 2, Designed according to EN 1171.
- Face to face according to EN 558 Table 2 Basic Series 14 & 15.
- Standard flange drilling to EN1092-2 (ISO 7005-2), PN 10/16/ B16.5.

Test/approvals:

- Hydraulic test according to EN 1074-1 and 2 / EN 12266.
- Seat: 1.1 x PN (in bar), Body: 1.5 x PN (in bar). Operation torque test

Features:

- Fixed, integral wedge nut prevents vibration and ensures durability.
- Wedge fully vulcanized with drinking water approved EPDM rubber and equipped with wedge shoes to provide smooth operation.
- Large conical stem hole in the wedge prevents stagnant water
- Wedge and body guide rails ensure stable operation
- Stainless steel stem with wedge stop and rolled threads for high strength
- Full circle thrust collar provides fixation of the stem and low free running torques
- Triple safety stem sealing with an NBR wiper ring, a polyamide bearing with four NBR O-rings, and an EPDM rubber manchette.
- Round EPDM bonnet gasket fixed in a recess
- Countersunk and sealed stainless steel bonnet bolts encircled by the bonnet gasket
- Full bore
- Low operating torque
- Fusion bonded epoxy coating to DIN 30677-2.
- DN450-600 are designed with ISO top flange, eye lifting bolts and stainless steel roller

Size :

1/2" to 16"

Rating :

PN10 & PN16

Body & Moc :

- Ductile Iron, En - GJS-400-15, En-GJS-500-7 (According to EN1563)

Wedge Moc :

Ductile Iron (EPDM, Encapsulated).

Wedge Shoe :

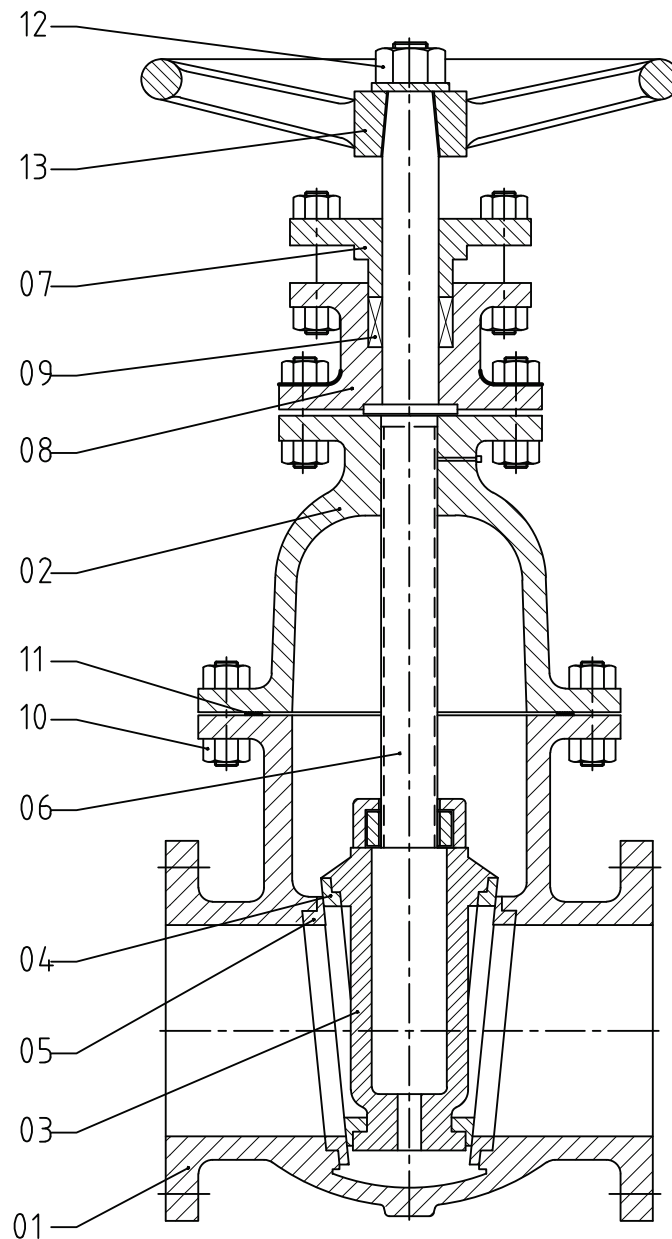
Polyamide.

Accessories :

Stem cap, handwheel, extension spindle, street cover, flange adaptor and combi-flange.

Cut Section with Components

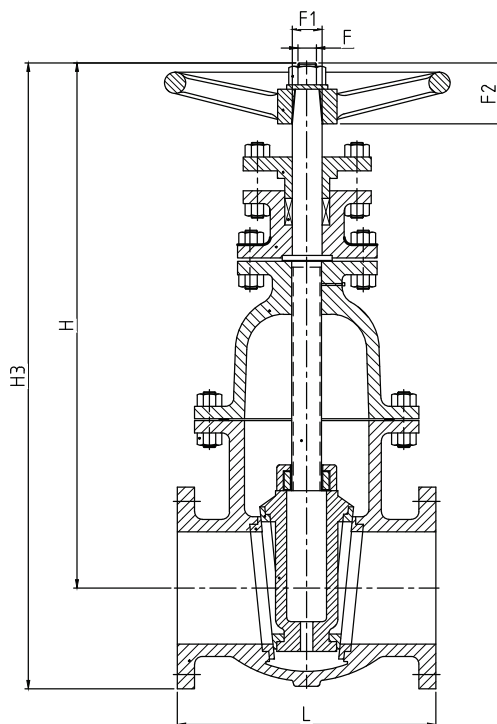
Gate Valve (Non Rising Stem)



NO.	PART	NO.	PART
1	Body	8	Yoke
2	Bonnet	9	Gland Packing
3	Wedge	10	Studs & NUT
4	Wedge Ring	11	Gasket
5	Seat Ring	12	Spindle Nut
6	Spindle	13	Hand Wheel
7	Gland	14	Name Plate

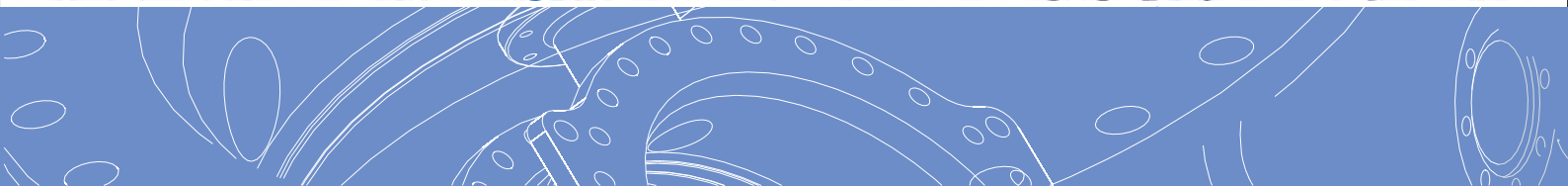
Dimensions

Gate Valve:



OVERALL DIMENSIONS IN MM :-

DN	FLANGE DRILLING	L	H	H3	F	F1	F2	THEORETICAL WEIGHT (KG)
40	PN 10/16	140	194	269	14	16	30	7.8
50		150	208	290	14	16	30	9.0
65		170	244	337	17	20	34	11
80		180	282	382	17	20	34	14
100		190	305	415	19	22	34	17
125		200	346	471	19	22	34	22
150		210	401	543	19	22	34	31
200	PN 10	230	490	660	24	28	34	48
200	PN 16	230	490	660	24	28	34	65
250	PN 10	250	664	864	27	31	47	102
250	PN 16	250	664	864	27	31	47	102
300	PN 10	270	740	968	27	31	47	110
300	PN 16	270	740	968	27	31	47	110
350	PN 10	290	924	1184	32	37	55	220
350	PN 16	290	924	1184	32	37	55	220
400	PN 10	310	951	1241	32	37	55	240
400	PN 16	310	951	1241	32	37	55	240



Dembla

Sales Office:

M/S. Dembla Valves Ltd.
C-30, Jai Matadi Compound, Kalher
Village, Thane-Bhiwandi-Agra Road -
421302,
Maharashtra, India.
Tel - +91-9292234790 - 97
E-mail - expo@dembla.com
[More info - www.dembla.com](http://www.dembla.com)

Works:

M/S. Dembla Valves Ltd.
A/8, Arahm Logistic, Valshind Village,
Mumbai -Nashik Highway
(NH3), Bhiwandi
Thane - 421302. Maharashtra (India)

