



RESILIENT SEATED BUTTERFLY VALVE

Replaceable Seat

DN 50 - DN 500 (2" - 20")

Bonded Seat

DN 600 - DN 2000 (24" - 80")



SERIES - 7200

General

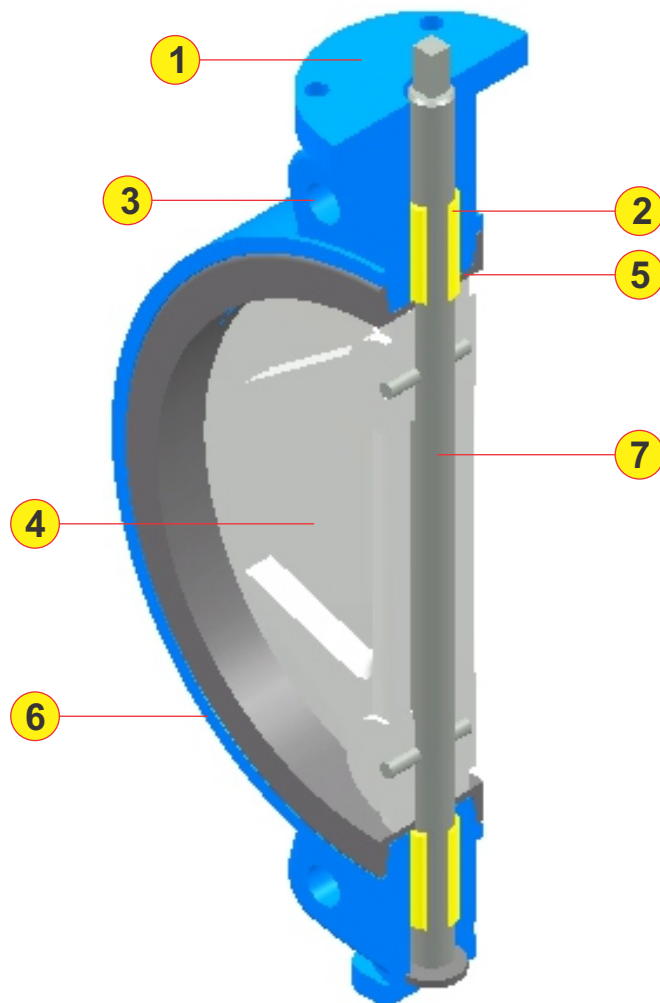
Series 7200 resilient seated butterfly valves are very reliable valves for tight shut off applications. These valves are suitable for majority of applications. Having years of field application, expertise and successful development of full range of High Performance butterfly valves, Dembla has developed series 7200 valves to meet the economical solutions for today's fluid process industry.

Specifications

Sizes	:	Dn50 - DN 500 (2"- 20") (With replaceable Seat) DN600 - DN2000 (24" - 80") (With Bonded / Lined Seat)
Ratings	:	PN6, PN10, PN16, ANSI 150#
Temperature Range	:	-34°C to + 150°C
Design	:	EN 593 / API 609
Face to Face	:	EN 558 Series 20 / API 609
End Connection	:	Wafer Lug Flange
Top Flange	:	ISO 5211
Testing	:	EN 12266-1 ISO 5208 API 598 FCI 70-2

Features

- 1. Top Flange according to ISO 5211 for direct mounting of actuators.
- 2. Acetal top bush, guides stem and absorbs side thrust due to line pressure on the stem and disc.
- 3. Locating holes for easy installation. Two holes on DN50-DN300, Four holes on DN350-DN600.
- 4. Ductile Iron, Nylon coated disc for corrosion resistance, Super Duplex and Aluminum Bronze discs available on request.
- 5. Unique locking system for rubber seat eliminates dislocation of seat during disc closing and opening.
- 6. Single piece heavy duty body with extra extended top flange for piping insulations.
- 7. Heavy duty stems with square or key way arrangement for direct mounting of various actuators.



Construction Details

Valve Body

Valve bodies are available in three constructions. Wafer type, Lug type and Flange type. The wafer type bodies have two locating lugs (DN50-DN300) and four locating lugs (DN350 and above) for easy installation. Bodies are externally coated with epoxy paint as standard. Top flanges are according to ISO 5211 for direct mounting of actuators.

Shaft

The shafts are available in two piece and single piece constructions. The shafts are connected to disc using pins. The seat at top and bottom makes sealing so effectively that the shaft never come in contact with the line fluid.

Disc

The discs are heavy duty with two hubs for shaft attachment for sizes (DN50-DN500). Higher sizes are constructed with through one piece shaft. The discs are coated with Nylon 12 coating for superior corrosion resistance. The edges are rounded and polished for effortless seating during closing and opening. Discs in Aluminum bronze and Super Duplex materials are available for sea water applications.

Seat

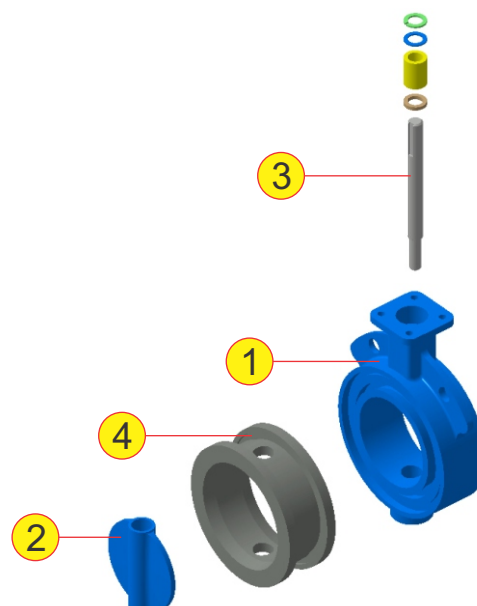
Seats are replaceable type for (DN50-DN600) and bonded (lined) with bodies for (DN650 and above). The seats have groove located to avoid rating movement (dislocation) during disc opening and closing. Replaceable seats (DN50-DN600) are available in Nitrile, EPDM, Viton, Silicon. Bonded seats (DN650 and above) are available in Ebonite and EPDM.

Seat Temperature Range

Seat Material	Temperature Range (C ^o)
Nitrile	-25 to + 100
EPDM	-25 to + 120
VITON / FKM	-5 to + 180
Silicon	-50 to + 150

Material of Constuction

Sr. No.	Part Name	Material Options
1	Body	Cast Iron, Ductile Iron, Carbon Steel, Stainless Steel
2	Disc	Ductile Iron (Nylon Coated) (Aluminum Bronze, Super Duplex and Stainless Steel disc on request)
3	Valve Shaft	SS410, SS316, SS431, 17-4-PH, (Super Duplex, Monel K 500 shafts on request)
4	Seat	Nitrile, EPDM, VITON, Silicon (Replaceable type) Ebonite, EPDM (Bonded type)



Actuators for Series 7200

Piston Actuators

Series 'E' and Series 'P' actuators are powerful, compact and durable units for use on quarter turn applications. These are available in Double Acting and Single Acting spring return versions. Various models are available to suit a large range of torque requirements. All actuators have mounting flanges and drives to ISO 5211.



Manual Gear Operators

Dembla offers a wide range of Manual Gear Operator models to suit exact Torque requirements. These operators are available with Hand wheel as standard and with chain wheel & 2" Square Nut options.



Diaphragm Actuators

Series 'LDp' actuators are Diaphragm operated Single Acting rotary actuators using linkage arrangement for motion transfer from linear to rotary. These actuators are exclusively designed for Butterfly Valves and are suitable for regulating and on-off applications. The actuators provide accurate, safe and reliable valve operation at low supply pressures. Heavy-duty lever arrangement offers great stability under high torque and shock conditions. Low friction



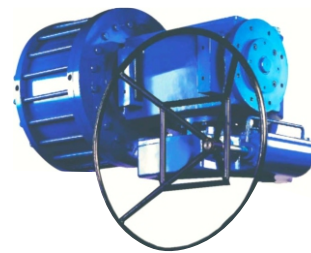
Electric Motor Operators

Dembla provides valves with electric motor actuators produced by leading manufacturers. A wide range of electrical actuators are available.



Rotary Piston Actuators

Series 'LPS'/ LPD Actuators are piston operated double acting / single acting actuators using lever arrangement. These actuators are designed for higher leverage and higher torque range which is not available with conventional rack and pinion type piston actuators. These actuators are available with manual override also.



Hand Lever

A heavy duty hand lever is available for sizes DN50-DN200. The lever is lockable at 8 positions from 0 to 90°. Mechanical stopper is provided as standard at 0 and 90° positions. Pad lock arrangement is available on request.



Accessories Options

Following Accessories are offered as per customers requirements:

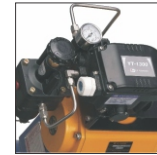
- Pneumatic Valve Positioners
- Electro Pneumatic Valve Positioners
- Air Filter Regulators
- Air Lock Relays
- Limit Switches
- Volume Boosters
- Proximity Switches
- Solenoid Valves
- Position Feedback Transmitters
- Quick Exhaust Valves
- I/P Converters



Limit Switch



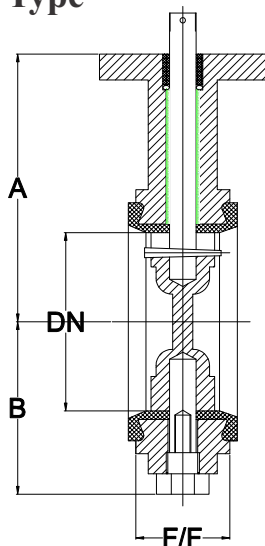
Electro Pneumatic Positioner



Smart Positioner

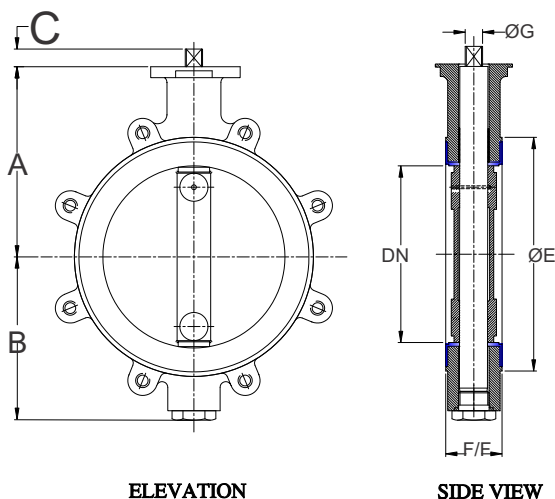
Overall Dimensions (mm)

Wafer Type



DN	F/F	B	A
50	43	82	113
65	46	88	121
80	46	96	129
100	52	110	147
125	56	122	160
150	56	148	170
200	60	174	200
250	68	212	245
300	78	239	270
350	78	260	321
400	100	298	345
450	108	326	373

Lug Type



ELEVATION

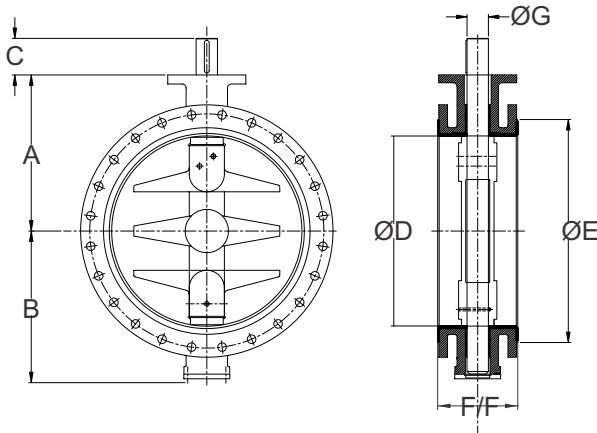
SIDE VIEW

ASME B16.5 Class 150

DN	F/F	A	B	C	øE	øG
50	43	118	67	25	90	11
65	46	126	74	25	105	11
80	46	133	82	25	124	11
100	52	147	100	25	150	11
125	56	160	112	28	182	14
150	56	180	134	28	210	14
200	60	204	159	28	265	17
250	68	245	195	30	315	22
300	78	270	220	30	371	22

Overall Dimensions (mm)

Flange Type



PN10

DN	F/F	A	B	C	øD	øE	øG
600	267	465	452	110	532	685	60
650	267	500	455	110	640	740	60
700	292	555	485	110	690	805	70
750	292	590	540	110	735	855	70
800	318	620	550	120	790	910	80
900	330	660	650	120	890	1005	90
1000	410	740	680	120	985	1110	90
1100	410	800	767	120	1085	1220	105
1200	470	950	845	160	1185	1325	110
1300	470	950	870	160	1285	1430	110
1400	530	990	925	160	1385	1535	120
1500	600	1050	1000	160	1477	1645	135
1600	600	1150	1085	160	1568	1755	150
1800	670	1265	1214	180	1770	1965	165
2000	520	1425	1437	200	1970	2160	200

PN16

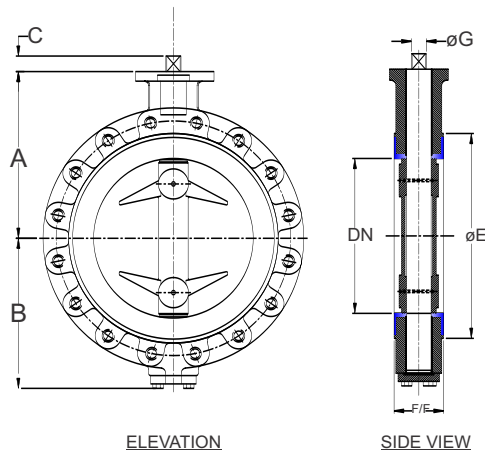
DN	F/F	A	B	C	øD	øE	øG
600	267	465	452	110	532	725	70
650	267	500	455	110	640	740	70
700	292	550	505	120	690	795	80
750	292	575	535	120	735	855	90
800	318	610	582	120	779	900	100
900	330	660	650	160	890	1005	110
1000	410	740	680	160	985	1110	120
1100	410	800	767	160	1085	1220	125
1200	470	875	841	160	1185	1325	130
1300	470	950	870	160	1285	1430	130
1400	530	990	925	160	1385	1535	140
1500	600	1050	1000	180	1477	1640	155
1600	600	1150	1085	180	1568	1755	175
1800	670	1265	1214	200	1770	1965	195
2000	520	1425	1437	200	1970	2160	235

ASME B16.47 CLASS 150 , SERIES 'B'

DN	F/F	A	B	C	øD	øE	øG
650	267	500	455	110	640	740	60
700	292	555	490	110	690	805	70
750	292	590	530	110	730	857	70
800	318	620	550	120	790	915	80
900	330	675	625	120	880	1022	90
1000	410	740	680	120	985	1110	90
1050	410	800	727	120	1035	1194	100
1100	410	830	765	160	1085	1245	110
1200	470	950	885	160	1185	1360	110
1300	470	950	870	160	1285	1430	120
1400	530	1050	940	160	1385	1575	135
1500	600	1080	1000	160	1477	1676	150

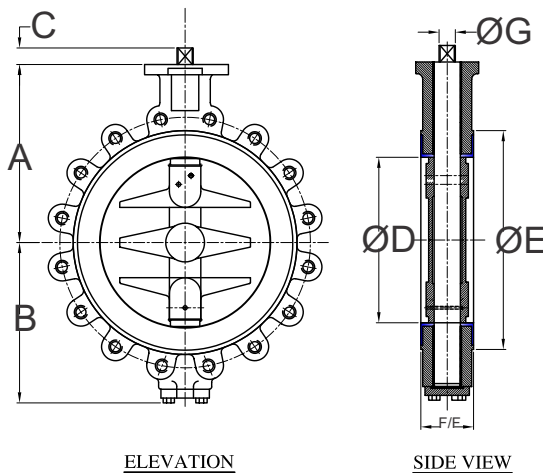
Overall Dimensions (mm)

Lug Type



DN	F/F	A	B	C	øE	øG
350	78	315	282	29	434	27
400	102	350	307	29	488	27
450	114	375	352	38	536	36
500	127	415	387	38	590	36
600	154	465	452	48	685	46

Lug Type



PN10

DN	F/F	A	B	C	ØD	ØE	ØG
600	190	530	460	110	590	685	70
650	229	530	480	110	640	745	70
700	229	555	485	110	690	805	70
750	229	580	510	100	740	860	70
800	241	620	555	120	790	910	80
900	241	660	625	120	890	1010	90
1000	300	725	680	120	985	1110	90
1100	300	850	790	120	1085	1220	105
1200	350	875	805	160	1185	1325	110

PN16

DN	F/F	A	B	C	ØD	ØE	ØG
600	190	530	460	110	590	725	70
650	229	530	480	110	640	745	70
700	229	555	505	120	690	805	80
750	229	858	540	120	740	860	90
800	241	615	575	120	790	900	100
900	241	675	645	160	890	1010	110
1000	300	750	695	160	985	1120	120
1100	300	850	790	160	1085	1220	125
1200	350	875	805	160	1185	1325	130

ASME B16.47 Class Series 'B'

DN	F/F	A	B	C	ØD	ØE	ØG
650	229	530	460	110	640	745	70
700	229	555	485	110	690	802	80
750	229	580	510	110	740	860	90
800	241	620	555	120	790	905	100
900	241	660	625	120	890	1010	110
1000	300	725	680	120	985	1110	120
1050	300	770	715	120	1035	1194	120
1100	300	850	790	120	1085	1220	125
1200	350	875	805	160	1185	1325	130



Dembla

Sales Office:

M/S. Dembla Valves Ltd.
C-30, Jai Matadi Compound, Kalher
Village, Thane-Bhiwandi-Agra Raod -
421302,
Maharashtra, India.
Tel - +91-9292234790 - 97
E-mail - expo@dembla.com
[More info - www.dembla.com](http://www.dembla.com)

Works:

M/S. Dembla Valves Ltd.
A/8, Arahm Logistic, Valshind Village,
Mumbai -Nashik Highway
(NH3), Bhiwandi
Thane - 421302. Maharashtra (India)

